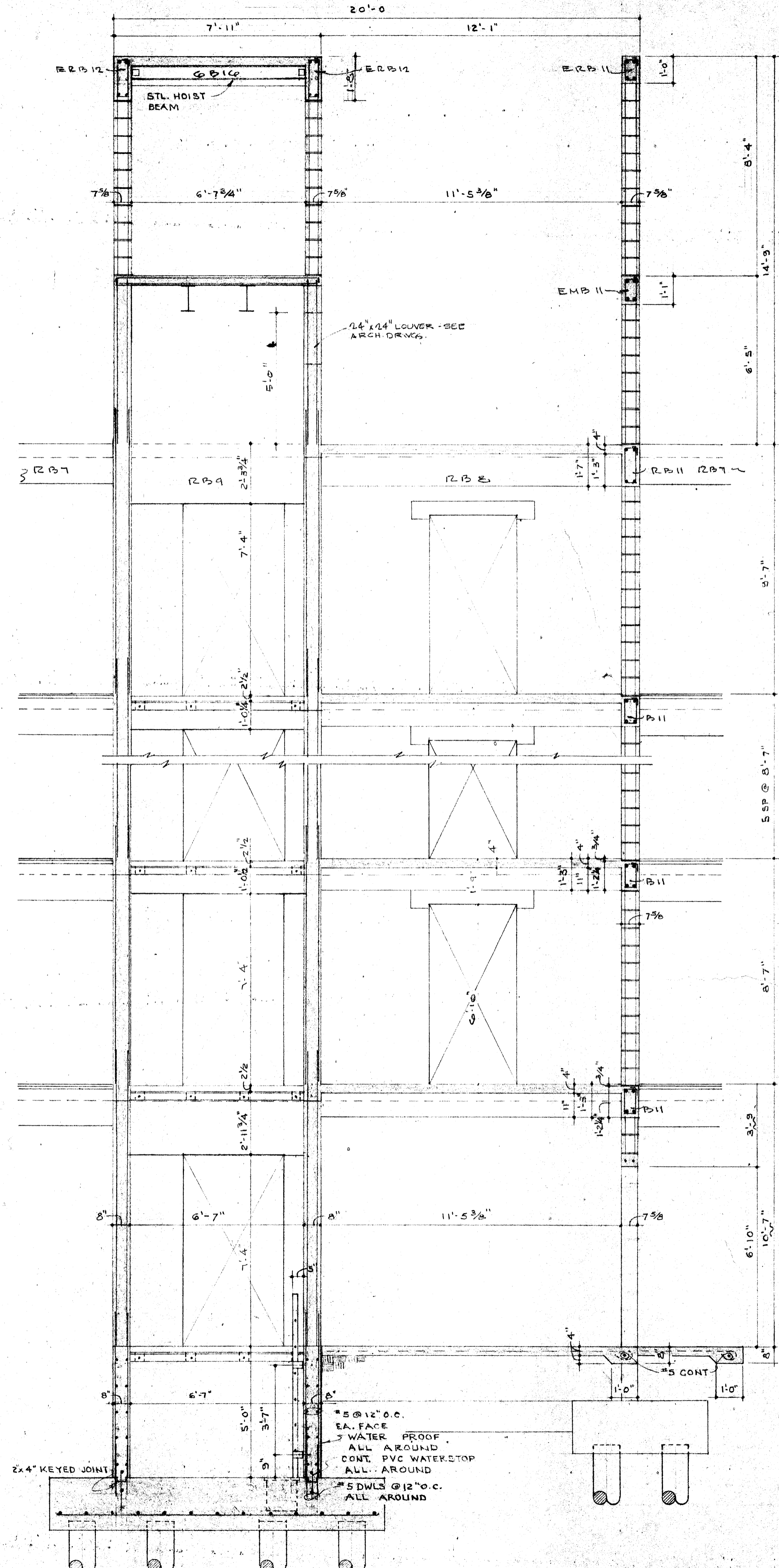
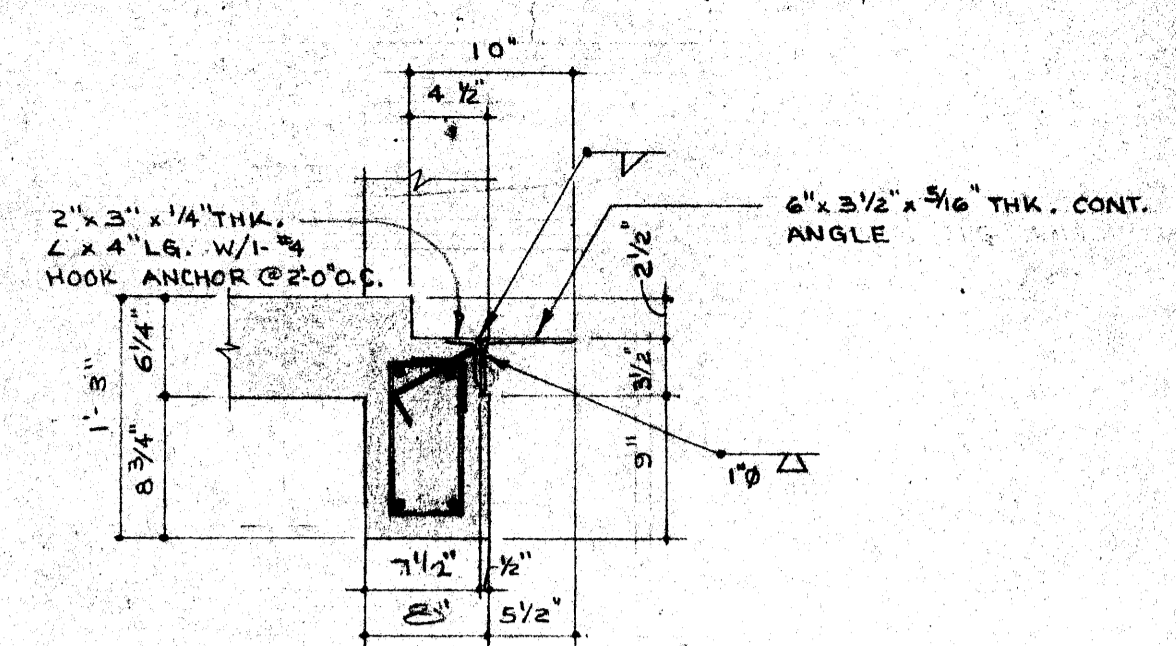


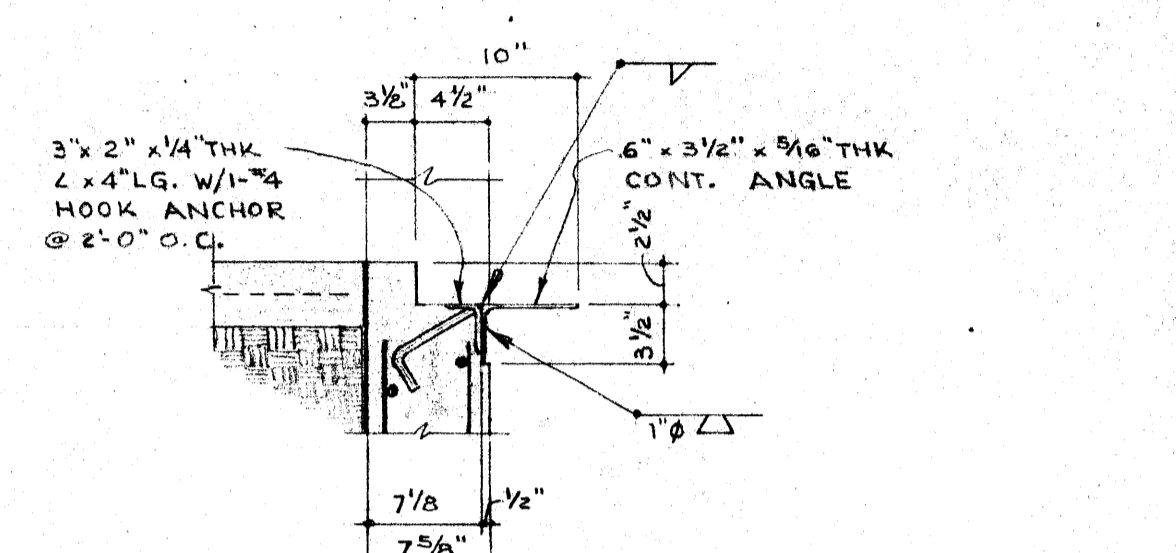
SECTION A  
SCALE 3/8" = 1'-0"



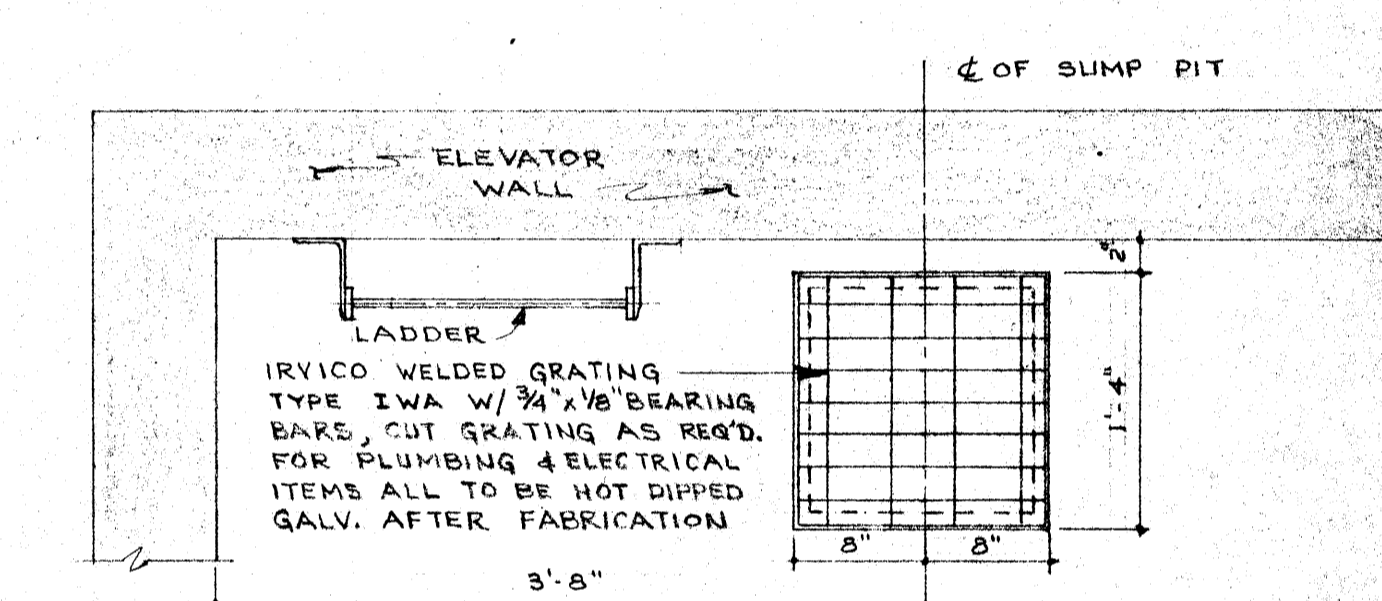
SECTION B  
SCALE 3/8" = 1'-0"



DETAIL C  
SCALE 1" = 1'-0"



DETAIL D  
SCALE 1" = 1'-0"



SUMP PIT DETAIL  
SCALE 1" = 1'-0"